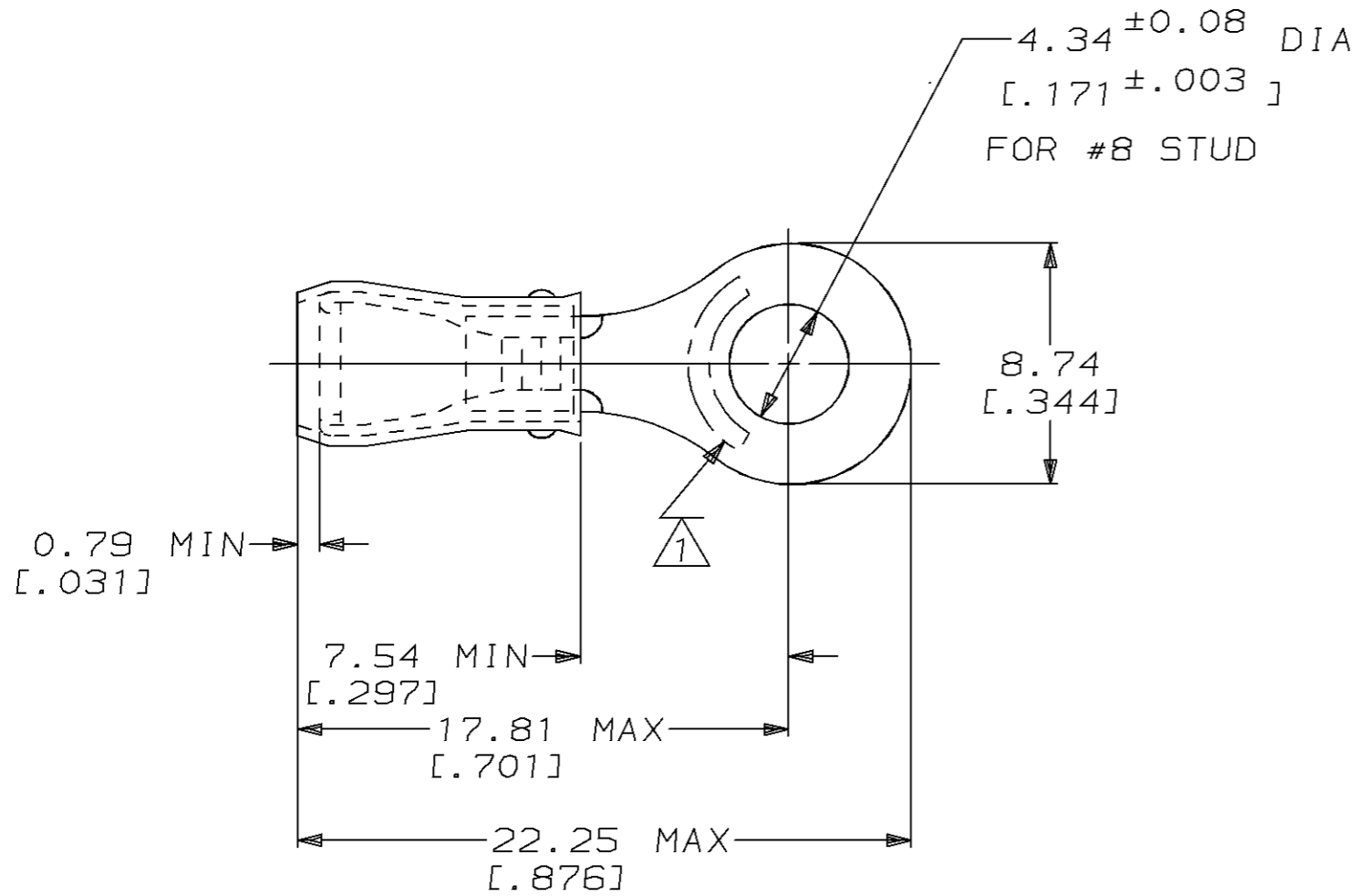


THIS DRAWING IS UNPUBLISHED. RELEASED FOR PUBLICATION, 19
 © COPYRIGHT 19 BY AMP INCORPORATED. ALL INTERNATIONAL RIGHTS RESERVED.

LOC	DIST	P	F	REVISIONS				
G	14			ZONE	LTR	DESCRIPTION	DATE	APPD
					H	REV / 0L20-0025-97	27JAN97	ME TM

AMP WIRE RANGE	UL Listed	SR LR7189 Certified
22-16 AWG SOLID OR STRANDED	22-16 AWG SOLID OR STRANDED	22-16 AWG SOLID OR STRANDED



- 1 STAMP AMP 22-18* APPROX AS SHOWN
22-16 TERMINALS ARE STAMPED 22-18 IN
ACCORDANCE WITH MILITARY SPEC MIL-T-7928
COMMERCIAL WIRE RANGE IS 22-16
- 2 WIRE INSULATION DIA: .105 - .140
- 3 TONGUE MATERIAL THK: 0.79^{±0.05} [.031^{±.002}]

AMP INCORPORATED CUSTOMER SERVICE SYSTEMS		MAX RECOMMENDED OPERATING TEMPERATURE: 105°C MAX		MILITARY P/N AND CLASS		5000	ON TAPE, REEL	2-32835-2	
FOR ADDITIONAL PRODUCT INFORMATION OR COPIES OF DRAWINGS AND TECHNICAL DOCUMENTS		PRODUCT INFORMATION CENTER 1-800-522-6752		VOLTAGE RATING: 300 V MAX		-	LOOSE PIECE	32835	
FOR APPLICATION TOOLING INFORMATION		TOOLING ASSISTANCE CENTER 1-800-722-1111		WIRE CROSS SECTIONAL AREA RANGE: 0.26-1.65mm ² [509-3,260] CIR MILS SOLID OR STRANDED		PACKAGE TYPE		PART NO	
FOR ORDER ENTRY		1-800-526-5142		FINISH TIN PLATE PER MIL-T-10727		QUANTITY		NAME	
AMP 1470-15 REV 3-92 27 JAN 1997 15:25:20 AMP10398 <UU128A>DEPT1132>U.DWG1132>U.RBY>U.PIDG>U.CUST		THIS DRAWING IS A CONTROLLED DOCUMENT FOR AMP INCORPORATED. IT IS SUBJECT TO CHANGE AND THE CONTROLLING ENGINEERING ORGANIZATION SHOULD BE CONTACTED FOR THE LATEST REVISION.		DO NOT SCALE PRINT. UNLESS SPECIFIED DIMENSIONS IN mm [INCHES] TOLERANCES ON: 2 PLC DEC ± 0.20 [.008] 3 PLC DEC ± - ANGLES ± -		DR 02/11/93 DK SCHRUM CHK 4/28/93 RE HERSEY APPD 4/28/93 ML ELLIS APPD 4/28/93 M BARNABA PRODUCT SPEC UL 486A APPLICATION SPEC NOT AVAILABLE		AMP AMP Incorporated Harrisburg, PA 17105-3608	
				MATERIAL COPPER PER ASTM B 152 SLEEVE, RED NYLON		NAME		TERMINAL, RING TONGUE, PIDG™, WIRE SIZE, 22-16 AWG	
				MATERIAL COPPER PER ASTM B 152 SLEEVE, RED NYLON		SIZE		B	
				MATERIAL COPPER PER ASTM B 152 SLEEVE, RED NYLON		CAGE CODE		00779	
				MATERIAL COPPER PER ASTM B 152 SLEEVE, RED NYLON		DRAWING NO		C-32835	
				MATERIAL COPPER PER ASTM B 152 SLEEVE, RED NYLON		SCALE		4:1	
				MATERIAL COPPER PER ASTM B 152 SLEEVE, RED NYLON		SHEET		1 OF 1	

CUSTOMER DRAWING